



## technical data type HBX

**Body:** - Made of die cast aluminium in black corrosion resistant paint finish.

**Optic:** - Lens optics 90° beam angle

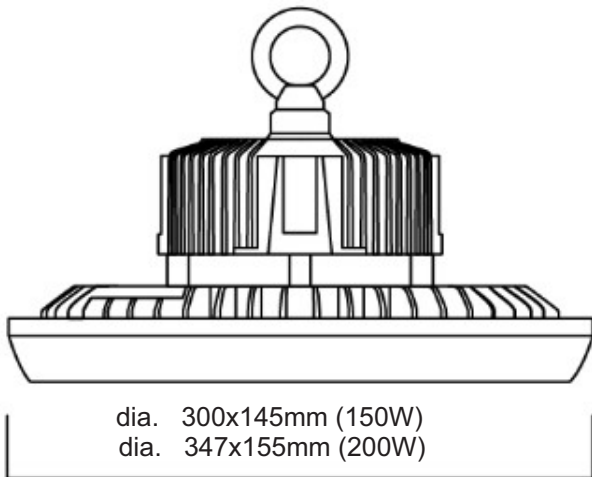
**Options:** - 120° wide beam angle.  
- 1-10V dimming  
- CCT : 4000K

**Electrical specifications:**

- Class I
- Input Voltage 100-240V AC
- Frequency 50 / 60 Hz.



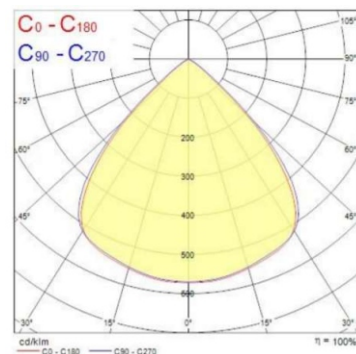
| Power | Lm+/-10% | LED Nos | Ta.max | Size mm | Weight kg |
|-------|----------|---------|--------|---------|-----------|
| 150W  | 22500    | 420     | 40°C   | 300*145 | 2.2       |
| 200W  | 30000    | 532     | 40°C   | 347*155 | 2.9       |



**LED specifications:**

- Product life min.50.000h L70 B10 at Ta.max
- SMD 5050
- MacAdam 3 SDCM
- CRI > 80
- efficacy 150 lm/W
- Luminous output and electrical load have an initial tolerance of +/- 10% from nominal.
- Total power consumption of LED's and driver
- Driver: SOSEN

\* The dimensions shown on this document can be modified without notice



VLUX  
Industrieweg Roosveld  
3400 LANDEN BELGIUM

Tel. + 32 11 88 09 00

website [www.vlux.com](http://www.vlux.com)  
ISO 9001 certified company.

