



technical data type RES

LED panel

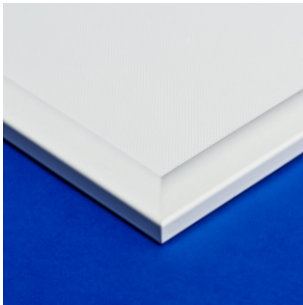
Housing:

Made of white powder coated aluminium, developed for recessed module 600 ceilings.

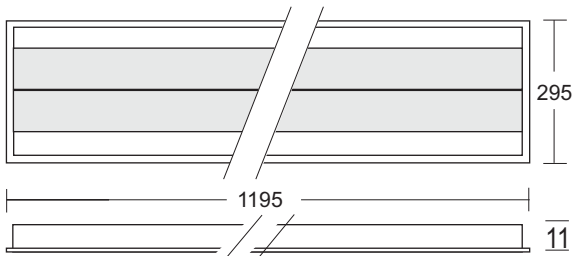
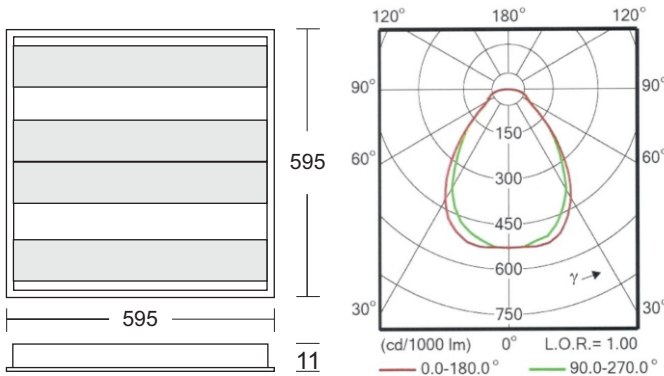
Diffuser:

Prismatic sheet, mounted into the frame. UGR < 19

Alternative: see also type SUR



White frame



Electrical specifications:

- LED current driver
- Optional DALI Dim
- Product life time 50.000h L80B10
- Available in 3000K, 4000K and 6500K with CRI of min. 80
- Luminous efficiency: LER up to 121lm/W
- SDCM4

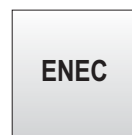
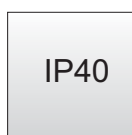
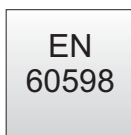
Housing (mm)	Power	Flux
600x600	28 W	3000 lm
	32 W	3400 lm
	36 W	3780 lm
	41 W	4300 lm
	300x1200	28 W
	32 W	3400 lm
	36 W	3780 lm
	41 W	4300 lm

Correction factor 0,95 for 830

Luminous output and electrical load have an initial tolerance of +/- 10 % from nominal.



17.12.2019



VLUX
Industrieweg Roosveld
3400 LANDEN BELGIUM

Tel + 32 11 88 09 00

website www.vlux.com
ISO 9001 certified company

