

technical data type **Slim 4x18**

- Housing:
- made of white powder coated steel.
 - corners in injected plastic material.
- Louvre:
- double or single parabolic in anodised aluminium.
 - spring mounted in the metal housing.

Types of louvres:

- single parabolic: longitudinal reflector / crossblade
 - MAT/MAT : matt / matt
- double parabolic: LG 3 : Cat 2 and Cat 3
 - AB: bright anodized aluminium
 - AM: matt anodized aluminium

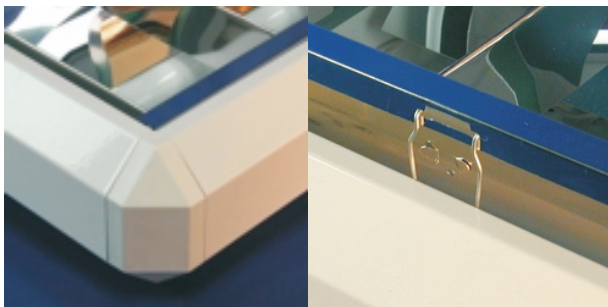
Other types on request :

- 3x18W, 3x36W, 3x58W
- 4x36W, 4x58W



Electrical specifications:

- ferromagnetic ballast and switch or electronic starters
- optional:
 - serial or parallel compensation
 - HF or HFD ballast
 - low loss ballast

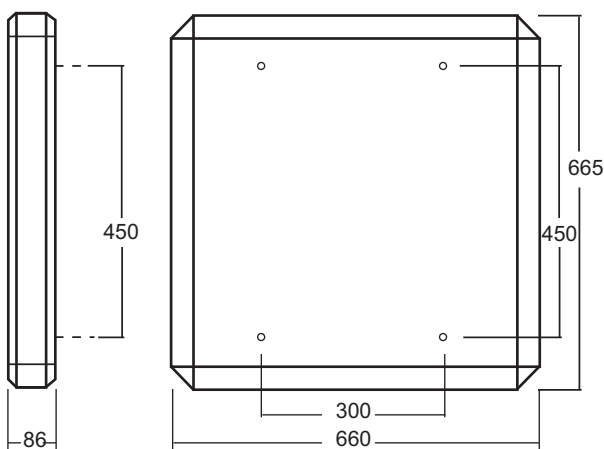


injection molded corners

Hingeable louvre

Lamps:

- fluorescent lamps (TL - T8) 4x 18w



V17.01.2012

*The dimensions shown on this document can be modified without notice.

