



— technical data type **VEL**

Housing: - injection moulded housing made out of polycarbonate (PC).
- standard white coloured.

- **Optional:** semi recessing bezel.

Diffuser: - injection moulded diffuser, fixed to the housing with screws, made out of polycarbonate (PC).
- pictograms optional. (self adhesive legend kits)

- **Optional:** trapezium shape diffuser (h=150 mm) inclusive self-adhesive safety signs to provide double sided signage.

Reflector: - hinged white plastic.

2 Types: both 150lm output

- VEL/EM3: Maintained Emergency with 3H autonomy and battery 1x3.6V (1.5 Ah NiCd).

- VEL/230: LED mains only (bulkhead).

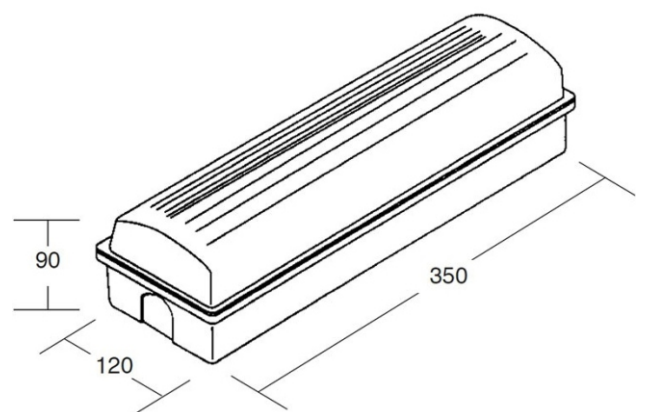


Specifications:

- 150 lumen out of fitting for 3,0W with 16 high output white LEDs.
- Supply voltage 230V/50Hz.
- Color 4000 to 5000 K.
- CRI > 80.
- DALI.
- DALI digital self test in accordance with BSEN62034.
- Lifetime > 50.000 h



Optional: trapezium shape diffuser



Weight: - VEL/EM3 = 1,1 kg
- VEL/230 = 0,9 kg

